

**PARTS LIST & MATERIAL SPECIFICATION**

	93625	94625
1 SEAT	BRASS	ST.STL.
2 BODY	ST.STL.	
3 DISC	ST.STL. 316	ST.STL. 440B
4 BALL	ST.STL.	
5 DISC HOLDER	ST.STL.	
6 PLUNGER	ST.STL.	
7 SPRING HOUSING	BRASS	ST.STL.
8 SPRING	ST.STL.	
9 SPINDLE	ST.STL.	
10 ADJUSTER	BRASS	ST.STL.
11 CAP	BRASS	ST.STL.
12 WIRE & SEAL	ST.STL. & LEAD	
13 LEVER	BRASS	ST.STL. *
14 O'RING	TO SUIT APPLICATION	

\* TYPE SL ONLY.

**APPROVALS**

Designed in accordance with BS6759 (but not approved) & ISO 4126. TÜV Approved:-  
 Ref.- TÜV.SV.98-1016.25.D/G.0,80.p = 4 - 19 BAR.G.  
 Ref.- TÜV.SV.98-1016.25.D/G.0,76.p = 19 - 20 BAR.G. Below 4 Bar.g. see 'α<sub>0</sub> vs Set Pressure' chart.  
 93625 type materials meet the requirements of BAM (Germany) for oxygen service,  
 P.E.D. 97/23/EC  
 Type examination module B, Cert. No. 01 202 111-B-00017  
 Quality management system module D, Cert. No. EDS 0002011/01.

**TECHNICAL DATA**

Relieving pressure = Set pressure +10%, 0.1 Bar.g. below 1.0 Bar.g.  
 Reseating pressure = Set pressure -10%, 0.3 Bar.g. below 3.0 Bar.g.  
 Maximum set pressure = 20.0 Bar.g.  
 Minimum set pressure = 0.3 Bar.g.  
 Flow area = 491 mm<sup>2</sup>  
 Inlet bore diameter = 25 mm  
 TÜV Derated coefficient of discharge α<sub>0</sub> = 0.8 From 4 - 19 Bar.g. 0.76 From 19 - 20 Bar.g.  
 = Below 4 Bar.g. see 'α<sub>0</sub> vs Set Pressure' chart.

Leak tightness at 90% set pressure to API 527 and in accordance with BS 6759 Part 3 1984, Table 9 Grade 2.

Greater leak tightness may be achieved on request.

Maximum temperature = 250°C Note: For sealed top fittings, max. temp. dependent on seal material.

Minimum temperature = -196°C subject to material specification.

Maximum permissible built up back pressure = 10% of set pressure at or below which flow is not reduced.

Stable operation on flows down to 50% of valve rated capacity.

FOR FURTHER INFORMATION, INSTALLATION AND OPERATIONS, CONVERSION FACTORS ETC. SEE TECHNICAL INFORMATION.

**FLOW CHART**

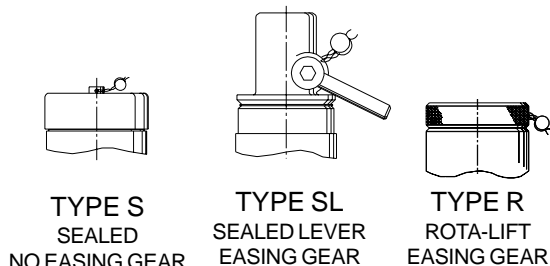
-TO CALCULATE INTERMEDIATE FLOWS SEE TECHNICAL INFORMATION SECTION

-FOR LESSER FLOWS REFER TO 20mm BORE TYPE 93620 DATA SHEET.

SET PRESSURE Bar.g	0.3	0.5	1.0	2.0	3	4	5	6	7	8	9	10	15	20
RATED DISCHARGE * CAPACITY IN ACCORDANCE WITH BS6759, AIR AT 15°C AND 1013 mbar std. Litres/s	66.0	85.6	128.8	238.3	325.6	408.6	491.7	574.7	657.8	740.8	823.9	906.9	1322.2	1650.6
RATED DISCHARGE * CAPACITY IN ACCORDANCE WITH BS6759 PART 1, STEAM Kg/h	176.8	233.2	351.8	650.9	889.2	1115.9	1342.7	1569.5	1796.3	2023.1	2249.9	2476.6	3610.6	4507.3
RATED DISCHARGE * CAPACITY IN ACCORDANCE WITH TÜV, AIR AT 0°C AND 1013 mbar Normal m <sup>3</sup> /h	220.2	304.8	458.7	837.9	1153.7	1447.9	1742.2	2036.4	2330.7	2624.9	2919.2	3213.4	4684.7	5848.1
RATED DISCHARGE * CAPACITY IN ACCORDANCE WITH TÜV, STEAM Kg/h	182.3	242.2	361.9	663	900.6	1121.9	1343.4	1562.5	1784.0	2004.4	2223.6	2441.6	3533.3	4388.9

\* DISCHARGE TO ATMOSPHERE

**ALTERNATIVE TOP FITTINGS**



**SEETRU LIMITED**

ALBION DOCKSIDE WORKS, BRISTOL. BS1 6UT  
 TELEPHONE +44 (0) 117 927 9204, FAX +44 (0) 117 929 8193  
 www.seetru.com enquires@seetru.com

25mm Nominal Bore  
 DIRECT SPRING LOADED ENCLOSED  
 DISCHARGE SAFETY VALVE FOR  
 COMPRESSED AIR OR GASES

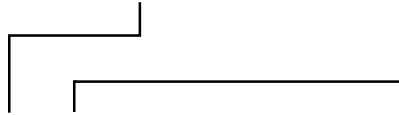
ENCLOSED DISCHARGE  
 25mm NOMINAL BORE SERIES  
 TYPE 93625 BRASS  
 TYPE 94625 ST.STL.

SHEET 1 OF 3 SHEETS

## VALVE SELECTION CHART

Standard thread sizes shown, other sizes may be available.

INLET CONNECTION	OUTLET CONNECTION	ORDERING CODE	TOP FITTING CODE			
			S	SL	L	R
G 1 (1" BSP PARALLEL MALE)	G 2 (2" BSP PARALLEL)	93625A	133	413 #	333 #	213
R 1 (1" BSP TAPER MALE)		94625A	134	414 #	334 #	214
G 1 (1" BSP PARALLEL FEMALE)		93625D 94625D	133	413 #	333 #	213



Example 1: Ordering code 93625A 333 0 is brass seated, Lever lift type 'L', with 1" BSP parallel MALE inlet connection, 2" BSP parallel outlet connection.

Example 2: Ordering code 93625D 333 0 is brass seated, Lever lift type 'L', with 1" BSP parallel FEMALE inlet connection, 2" BSP parallel outlet connection.

# LEVER LIFTING VALVES

**FOR 94625 VALVES, SEALED LEVER TYPE 'SL' AVAILABLE ONLY.  
FOR 93625 VALVES, OPEN LEVER TYPE 'L' AVAILABLE ONLY.**

## O'RING SEAL CHART

O'RING MATERIAL	10th DIGIT	MAX. STATIC TEMP. °C	MIN. STATIC TEMP. °C
NITRILE	1	150	-30
VITON®	3	250	-20
SILICONE	4	250	-50
NEOPRENE	5	120	-40
E.PROPYLENE	6	150	-40
* P.T.F.E.	7	250	-196

Note: For valve type 'L', o'rings not fitted. '0' indicates that no o'rings are required. For valve type 'S' & 'SL', digits '1 -7' indicates the required o'ring material dependent on the maximum /minimum static temperature.

Example: Ordering code 93625A 413 3 is brass seated, Sealed lever lift type 'SL', with 1" BSP parallel MALE inlet connection, 2" BSP parallel outlet connection, with Viton® o'ring seals.

**\* FOR CRYOGENIC SERVICE TYPE 'S' VALVES ONLY.  
TYPE 94625 VALVES ARE NOT SUITABLE FOR  
CRYOGENIC SERVICE. USE 93625 TYPE 'S'.**



**SEETRU LIMITED**

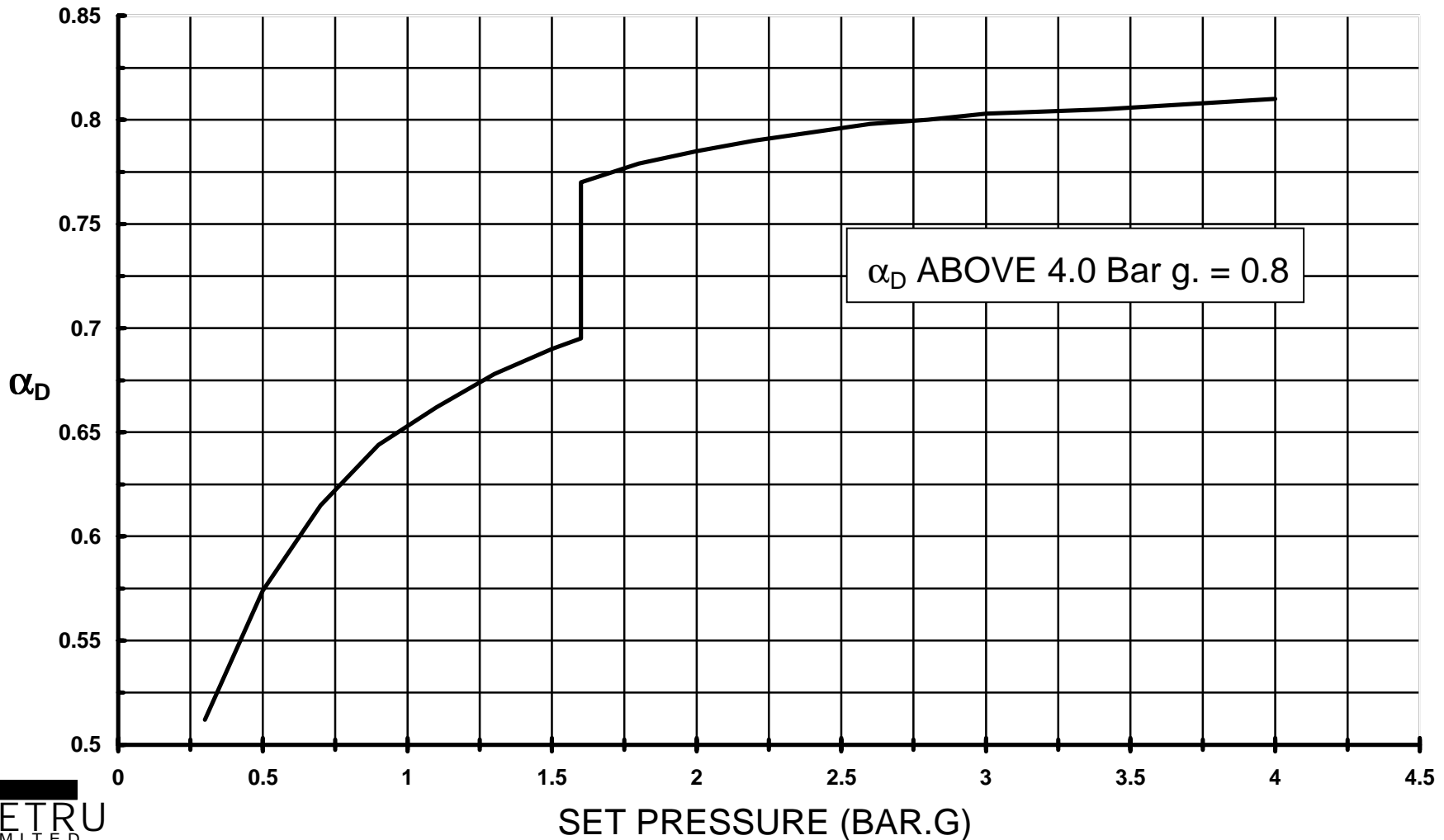
ALBION DOCKSIDE WORKS, BRISTOL. BS1 6UT  
TELEPHONE +44 (0) 117 927 9204, FAX +44 (0) 117 929 8193  
www.seetru.com enquires@seetru.com

25mm Nominal Bore  
DIRECT SPRING LOADED ENCLOSED  
DISCHARGE SAFETY VALVE FOR  
COMPRESSED AIR OR GASES

ENCLOSED DISCHARGE  
25mm NOMINAL BORE SERIES  
TYPE 93625 BRASS  
TYPE 94625 ST.STL.

SHEET 2 OF 3 SHEETS

$\alpha_D$  vs SET PRESSURE CHART  
SEETRU SAFETY RELIEF VALVE 93625/94625.  
0.3 to 4.0 BAR G.



**SEETRU LIMITED**  
ALBION DOCKSIDE WORKS, BRISTOL. BS1 6UT  
TELEPHONE +44 (0) 117 927 9204, FAX +44 (0) 117 929 8193  
www.seetru.com enquires@seetru.com

25mm Nominal Bore  
DIRECT SPRING LOADED ENCLOSED  
DISCHARGE SAFETY VALVE FOR  
COMPRESSED AIR OR GASES

ENCLOSED DISCHARGE  
25mm NOMINAL BORE SERIES  
TYPE 93625 BRASS  
TYPE 94625 ST.STL.

SHEET 3 OF 3 SHEETS